

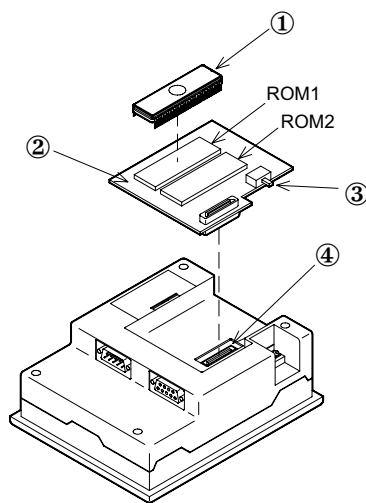
Data transfer adaptor F9GT-40UMB

1. Outline

The data transfer adaptor F9GT-40UMB is designed for efficient user screen download when two or more GOT's use the same data.

Screen data saved on a FX-EPROM-4M from the screen creation software is downloaded to the flash memory area of the GOT's.

2. Operating Procedure



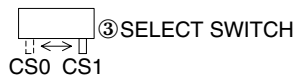
- ① EPROM FX-EPROM-4M
- ② Adaptor F9GT-40UMB
- ③ User screen/system selector switch
- ④ Extension interface

- (1) Mount the FX-EPROM-4M ① to the ROM socket (ROM1) of F9GT-40UMB ②.

Make sure not to bend the leads of the FX-EPROM-4M ① or touch them with bare fingers.

- (2) Push the user screen/system selector switch ③ upward (to CS1).

The screen data in the FX-EPROM-4M ① is not downloaded when CS0 is selected.




- (3) Connect the F9GT-40UMB ② to the extension interface ④.



Make sure that the power of the GOT is turned off.

- (4) Turn on the power of the GOT. The screen data will be automatically transferred in approximately 2 to 3 minutes.

- (5)  When data transfer is complete, make sure to turn off the power of the GOT before disconnecting the F9GT-40UMB ②.



Do not touch the F9GT-40UMB during downloaded.

3. Operating atmosphere

Must be free of lamp black, corrosive gas, flammable gas, or excessive amount of electroconductive dust particles and must be no direct sunlight. (Same as for saving)

General specifications other than the above are same as those of the GOT main unit.

Refer to the GOT-F900 Series HARDWARE MANUAL [CONNECTION].

Warranty

Mitsubishi will not be held liable for damage caused by factors found not to be the cause of Mitsubishi; opportunity loss or lost profits caused by faults in the Mitsubishi products; damage, secondary damage, accident compensation caused by special factors unpredictable by Mitsubishi; damages to products other than Mitsubishi products; and to other duties.

For the detailed warranty, refer to the GOT-F900 Series HARDWARE MANUAL [CONNECTION].